

## Permanent Light 895 / LED Bulb LED Bulb E27 115VAC GN



**Part No.:** 956.220.67



### MECHANICAL DATA

Height	65 mm
Diameter	45 mm
Housing colour	Silver
Weight with packaging	36 g
Product weight	28 g

### ELECTRICAL DATA

Operating voltage	115V
Operating voltage type	AC
Operating voltage frequency	60Hz
Operating voltage tolerance	+/- 10%
Rated operational voltage	115 VAC
Rated operational current	30 mA

### OPTICAL DATA

Light source	LED
Light colour	Green
Service life optical	100,000 h maximum
Lamp fitting/socket	E27

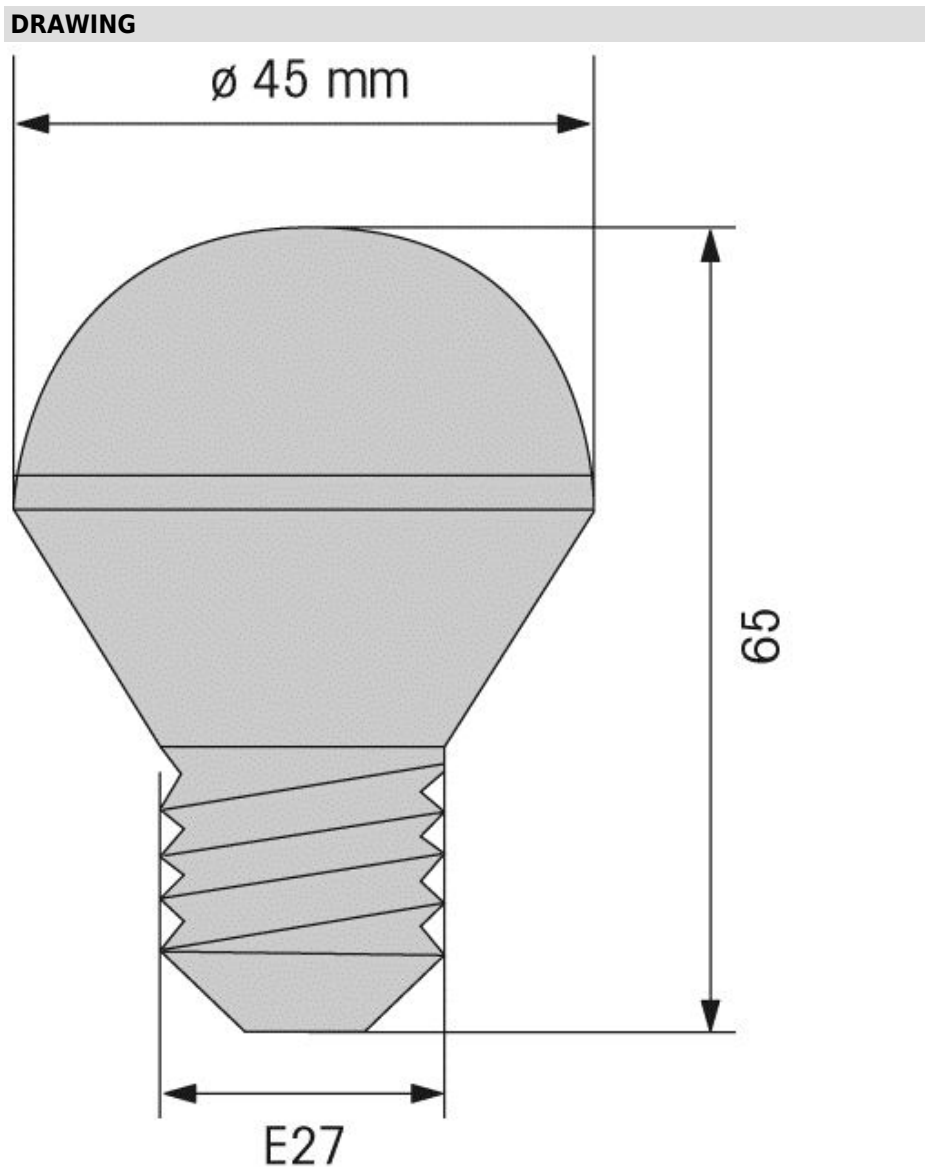
### APPROVAL DATA

Conforms with CE	Yes
Conforms with RoHS directive	Yes
WEEE	No
Conforms with ATEX-directive	No
Conforms with CCC	No
Conforms with FCC	No
Conforms with IC	No
EAC certificate available	No
Conforms with AS-I	No
ICAO Certification	No
Conforms with DNV	No
Conforms with RoHS CN	No



For additional installation and mounting information, refer to the appropriate user guide at [www.werma.com](http://www.werma.com). This printed copy is for information only and is subject to alteration.

Permanent Light 895 / LED Bulb  
**LED Bulb E27 115VAC GN**



For additional installation and mounting information, refer to the appropriate user guide at [www.werma.com](http://www.werma.com). This printed copy is for information only and is subject to alteration.